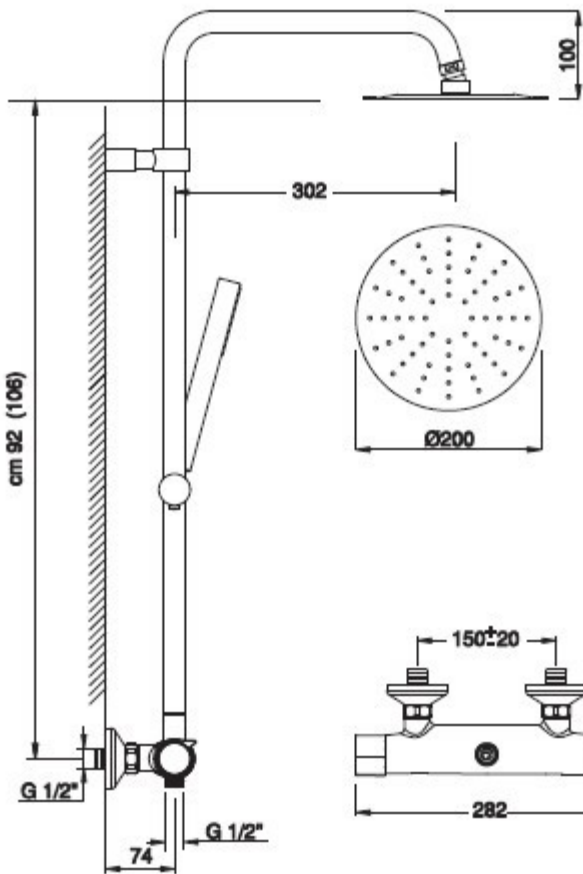


cm 92 (106)



100

302

$\text{Ø}200$

G 1/2"

74

G 1/2"

150 ± 20

282